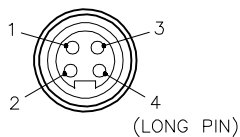
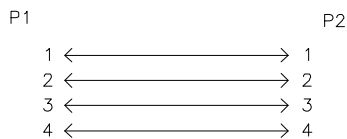


MALE END VIEW



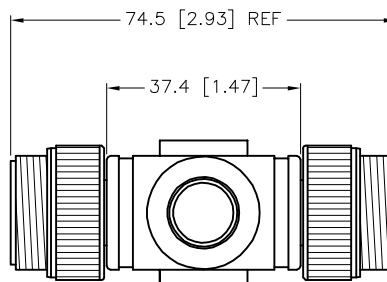
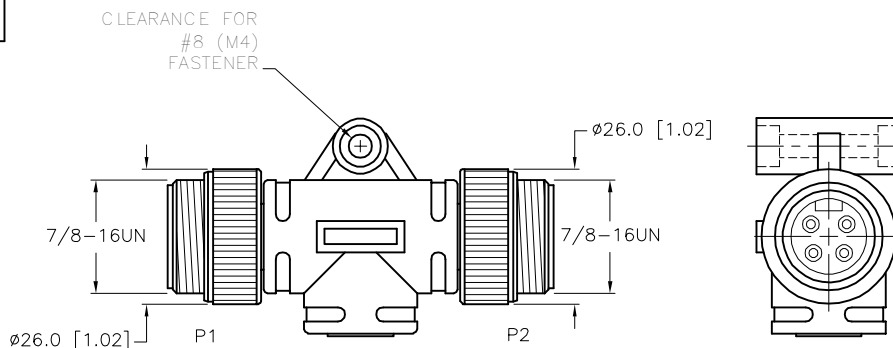
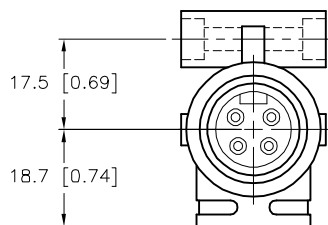
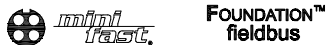
- 1 = (- VOLTAGE)
- 2 = (+ VOLTAGE)
- 3 = (SHIELD)
- 4 = (GROUND)

WIRING DIAGRAM



SPECIFICATIONS

CONTACT CARRIER MATERIAL/COLOR	TPU/BLACK
MOLDED HEAD MATERIAL/COLOR	TPU/YELLOW
CONTACT MATERIAL/PLATING	BRASS/GOLD
COUPLING NUT MATERIAL/FINISH	STAINLESS STEEL/PASSIVATED
RATED CURRENT [A]	9.0
RATED VOLTAGE [VDC]	250
TEMPERATURE RATING	-40°C TO +55°C (-40°F TO 131°F)
PROTECTION CLASS	MEETS NEMA 1,3,4,6P AND IEC IP67



SOURCE DRAWING - FOR REFERENCE ONLY

RELATED DOCUMENTS 1. 2. 3. 4.	3RD ANGLE PROJECTION 	THIS DRAWING IS CONFIDENTIAL AND THE PROPERTY OF TURCK INC. USE OF THIS DOCUMENT WITHOUT WRITTEN PERMISSION IS PROHIBITED.		3000 CAMPUS DRIVE MINNEAPOLIS, MN 55441 1-800-544-7769 (763) 553-7300 (763) 553-0708 fax www.turck.us	
	MATERIAL	DRFT GC	DATE 9/16/98	DESCRIPTION RSV RSV 49	
FINISH	ALL DIMENSIONS DISPLAYED ON THIS DRAWING ARE FOR REFERENCE ONLY	APVD GC	SCALE 1=1.5	IDENTIFICATION NO. U2264-8	
	CONTACT TURCK FOR MORE INFORMATION	UNIT OF MEASUREMENT <b>MILLIMETER [ INCH ]</b>		REV D	
D UPDATE RATED VOLTAGE	NF 08/02/17	61408		DO NOT SCALE THIS DRAWING	
REV DESCRIPTION	BY DATE	ECO NO.		FILE: U2264-8 SHEET 1 OF 1	

D	UPDATE RATED VOLTAGE	NF	08/02/17	61408
REV	DESCRIPTION	BY	DATE	ECO NO.